

INLGB05IRWF

5 MP AI ChromaView Bullet Network Fixed Camera with IR

- High quality image with 5MP, 1/2.7" CMOS sensor
- True WDR (120 dB)
- H.265+ & H.264 encoding
- AI Features: People Flow Counting and Crowd Density Monitoring
- Smart IR, Up to 30 m (98ft) IR distance
- Alarm: 1 in/1 out, Audio: 1 in/1 out



**NDAA
Compliant**

Unify your Security Solution

You asked, we listened. Tailored especially for you, Legend is our **fully NDAA compliant brand**. It offers our latest technologies in a robust build with edge storage capacity. Legend by Inaxsys provides H.265+ compression and easy installation.

On-board Analytics

This camera responds accurately to specific events in a given area. Our algorithm enables Line Crossing violations, intrusion detection, and much more. Facilitate your viewing experience using on the edge analytics – one product, multiple features.

ChromaView Technology

This technology helps you capture clear color images in practically any low light environment. Using a F1.0 aperture lens ChromaView technology provides a great balance between noise reduction and blurry moving objects.



*Design and specifications are subjects to change without notice.



INLGB05IRWF

5 MP AI ChromaView Bullet Network Fixed Camera with IR

Product Specifications

Camera					
Image Sensor	1/2.7", 5.0 megapixel, progressive scan, CMOS				
Scanning System	Progressive				
Minimum Illumination	Colour: 0.001Lux (F1.0, AGC ON)				
Electronic Speed Shutter	Auto/Manual, 1 ~ 1/100000s				
Pan/Tilt/Rotate	Pan: 0° ~ 360°	Tilt: 0° ~ 90°	Rotate: 0° ~ 360°		
WDR	120 dB				
S/N Ratio	More than 56 dB				
Illumination					
LED Range	Up to 30m / 98ft				
LEDS	2				
LED On & Off Control	Auto/Manual				
Lens					
Lens Type	Fixed				
Focal Length	4.0mm				
Viewing Angle (H, V, D)	H : 80.2°	V : 43.0°	D : 94.7°		
DORI					
DORI Distance	Lens (mm)	Detect	Observe	Recognize	Identify
	4	90.0m /294.3ft	36.0m /118.1	18.0m /59.1ft	9.0m /29.5ft
Video					
Compression	H.265+ / H.265 / H.264 / MJPEG				
H.264 code profile	Baseline profile, Main profile, High profile				
Frame Rate	Main Stream: 5MP (2880*1620), Max 30fps; 4MP (2560*1440), Max 30fps; 3MP (2304*1296), Max 30fps; 2MP (1920*1080), Max 30fps; 720P(1280*720), Max 30fps Sub Stream: 720P (1280*720), Max 30fps; D1 (720*576), Max 30fps; 640*360, Max 30fps; Third Stream: D1 (720*576), Max 30fps; 640*360, Max 30fps; 2CIF(704*288), Max 30fps; CIF(352*288), Max 30fps;				
Video Bit Rate	128 Kbps~16 Mbps				
On-Screen Display (OSD)	Up to 8 OSDs				
Privacy Mask	Up to 4 areas				
Region of Interest	Up to 8 areas				
Video Stream	Triple				

*Design and specifications are subjects to change without notice.



INLGB05IRWF

5 MP AI ChromaView Bullet Network Fixed Camera with IR

Product Specifications

Image	
White Balance	Auto/Outdoor/Fine Tune/Sodium Lamp/Locked/Auto2
Image Setting	Image rotation, brightness, saturation, contrast, sharpness, gain adjustable by web browser
Digital Noise Reduction	2D/3D DNR
Smart LED Illumination	Support
Flip	Normal/Vertical/Horizontal/180°/90°Clockwise/90°Anti-Clockwise
Hightlight Compensation (HLC)	Support
Blacklight Compensation (BLC)	Support
Defog	Digital Defog
Artificial Intelligence	
Smart Intrusion Prevention	Support false alarm filtering: Line crossing detection, Intrusion detection, Region entrance detection, Region exit detection
Statistical Analysis	People counting, support tripwire people counting and area people counting
Events	
Basic Detection	Motion detection, Ultra motion detection, Tampering alarm, Audio Detection
General Function	Watermark, IP Address Filtering, Alarm input, Alarm output, Access Policy, ARP Protection, RTSP Authentication, User Authentication
Audio	
Audio Compression	G.711
Audio Bit Rate	64 Kbps
Two-way Audio	Support
Suppression	Support
Sampling Rate	8KHZ
Storage	
Edge Storage	Micro SD, up to 256GB
Network Storage	ANR, NAS(NFS)
Interface	
Audio I/O	Input: impedance 35kΩ; amplitude 2V [p-p] Output: impedance 600Ω; amplitude 2V [p-p]
Alarm I/O	1/1
Ethernet	1 RJ45 10M/100M Base-TX Ethernet

*Design and specifications are subjects to change without notice.



INLGB05IRWF

5 MP AI ChromaView Bullet Network Fixed Camera with IR

Product Specifications

Network	
Protocols	IPv4, IPv6, IGMP, ICMP, ARP, TCP, UDP, DHCP, PPPoE, RTP, RTSP, RTCP, DNS, DDNS, NTP, FTP, UPnP, HTTP, HTTPS, SMTP, 802.1x, SNMP, QoS, RTMP, SSL/TLS, SSH
Compatibility	ONVIF (Profile S, Profile G, Profile T), API, SDK
Management software	LEGEND VMS, ARKIV
Web Browser	Plug-in required live view: IE 10 and above, Chrome 45 and above, Firefox 52 and above, Edge 79 and above
	Plug-in free live view: Chrome 57.0 and above, Firefox 58.0 and above, Edge 16 and above
Certifications	
EMC	FCC CFR 47 Part 15
	EN 55032:2015
	EN 55024:2010
	EN 61000-3-2:2014
	EN 61000-3-3-2013
Safety	IEC 62368-1
	EN 62368-1
	UL 62368-1
Environment	CE-ROHS (2011/65/EU;(EU)2015/863);
	WEEE (2012/19/EU);
	REACH (Regulation (EC) No 1907/2006)
Protection	IP67 (IEC 60529-2013)
	IK10 (IEC 62262:2002)
	4KV (Surge Protection)
General	
Power	DC 12V±25%, PoE (IEEE 802.3af)
Power Consumption	Less than 9.0W
Power Interface	Ø 5.5mm coaxial power plug
Dimensions (L x W x H)	246 × 86 × 85mm (9.7" × 3.4" × 3.3")
Weight	2.02lb / 0.92kg
Material	Metal
Working Environment	-30°C ~ 60°C (-22°F ~ 140°F), Humidity: ≤95% RH (non-condensing)

*Design and specifications are subjects to change without notice.



INLGB05IRWF

5 MP AI ChromaView Bullet Network Fixed Camera with IR

Product Specifications



XLGJB06-A
Junction Box



XLGUP06-B
Pole Mount



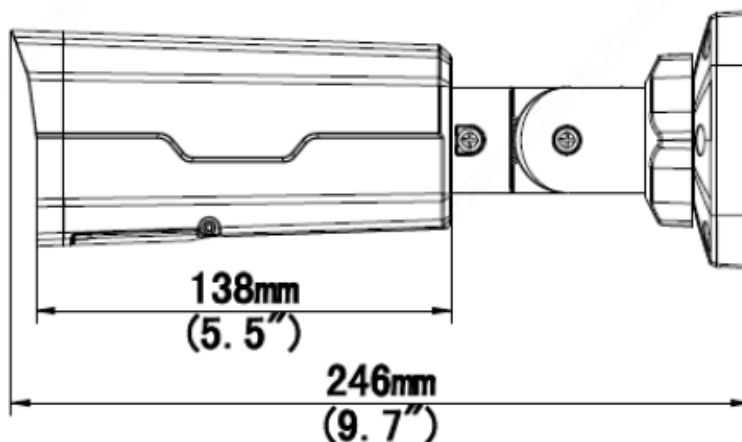
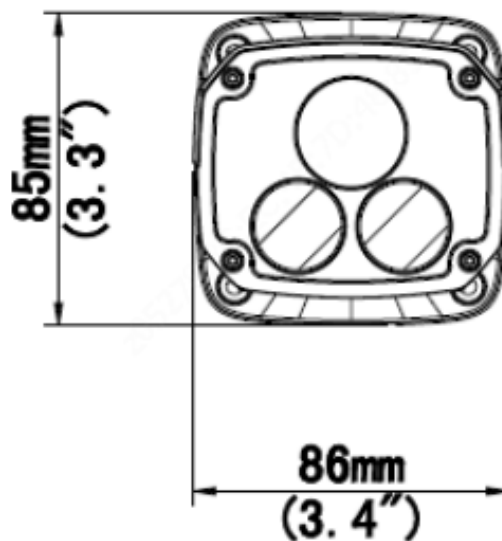
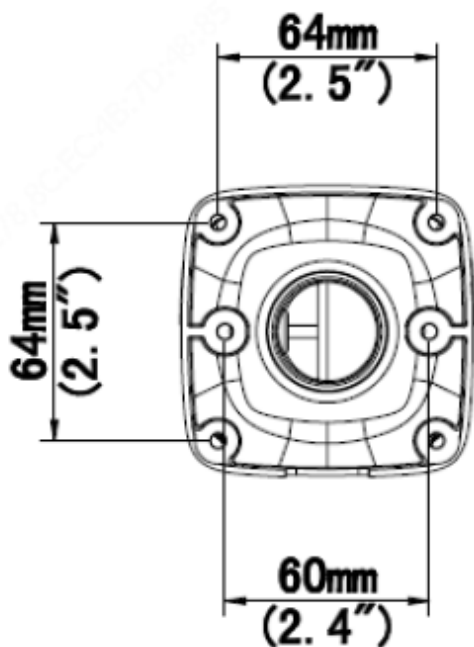
XLGUP06-C
Pole Mount



XLGJB07-D
Junction Box



VUSD256G
Micro SD Card



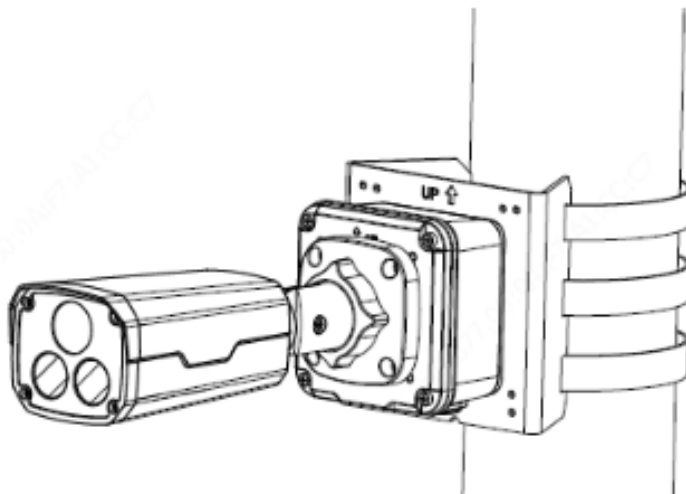
INLGB05IRWF

5 MP AI ChromaView Bullet Network
Fixed Camera with IR

Product Specifications

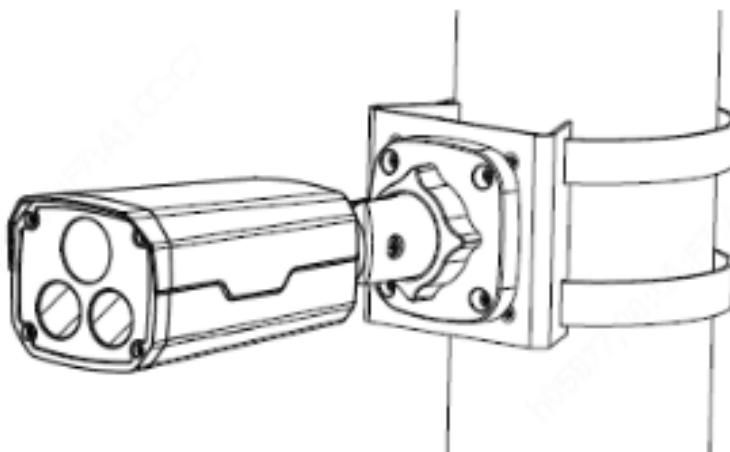
Junction Mount

XLGJB07-D (XLGJB06-A) + XLGUP06-C



Pole Mount

XLGUP06-B



*Design and specifications are subjects to change without notice.

